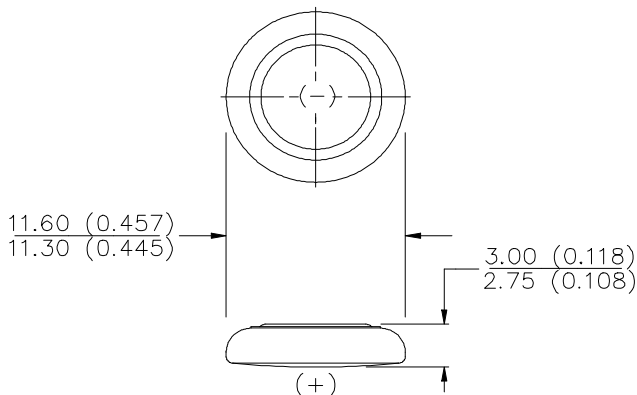


## ENERGIZER NO. 389



Industry Standard Dimensions in mm (inches)

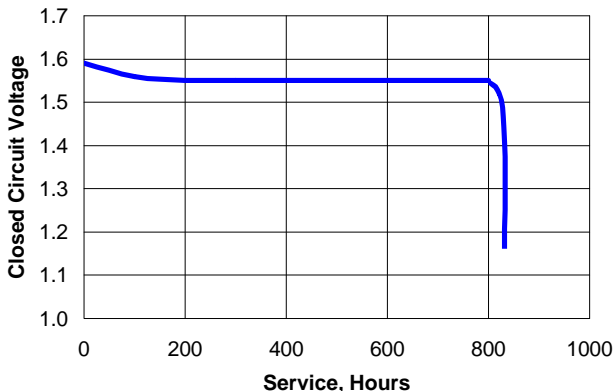


**Chemical System:** Silver Oxide (Zn/Ag<sub>2</sub>O)

**Designation:** ANSI / NEDA-1138SO, IEC-SR54/T54  
**Battery Voltage:** 1.55 Volts  
**Average Weight:** 1.35 grams (0.048 oz.)  
**Volume:** 0.32 cubic centimeters (0.019 cubic inch)  
**Average Capacity:** 85 mAh to 1.3 volts  
 (Rated at 15k ohms continuous at 21°C)

### TYPICAL DISCHARGE CURVE

Simulated Test @ 21°C (70°F)



DESIGNED FOR USE ON CONTINUOUS LOW DRAIN  
 HIGH PULSE DRAIN ON DEMAND

### Simulated Application Test Estimated Average Service at 21°C (70°F)

Schedule:	Typical Drains at 1.55V (milliamperes)	Load (ohms)	Cutoff Voltage
			1.3V
24 hours/day	0.103	15,000	825 Hours

**INTERNAL RESISTANCE:** Closed circuit voltage no less than 1.20 volts on a load of 100 ohms at 21°C (70°F) for 0.1 to 2.0 seconds.

Typical closed circuit voltage during discharge on a load of 100 ohms for 5.0 seconds.

### Depth of Discharge as Percent of Rated Capacity

Temperature	0%	40%	80%
21°C (70°F)	1.41V	1.30V	1.25V
-10°C (14°F)	0.98V	0.75V	0.74V

### Important Notice

This data sheet contains information specific to batteries manufactured at the time of its publication.

**Contents herein do not constitute a warranty.**

Copyright © Eveready Battery Co. Inc. - All Rights Reserved